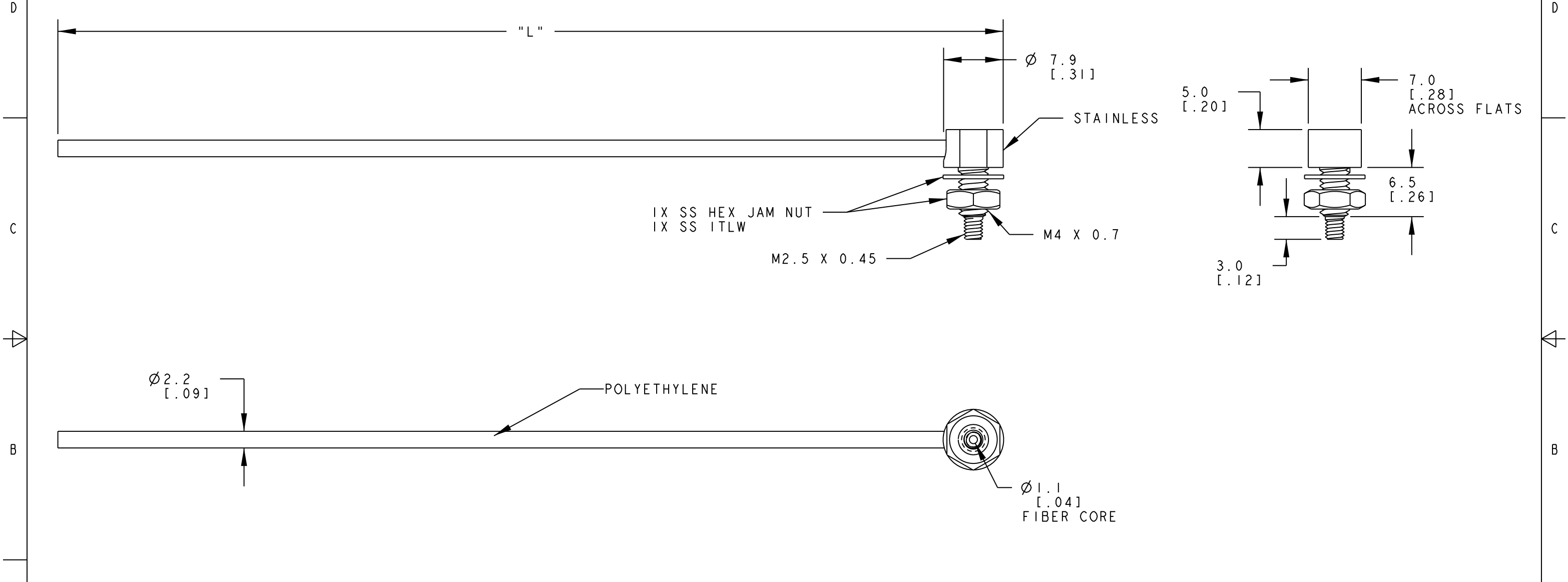



8 | 7 | 6 | 5 | 4 | 3 | 2 | 1

REVISION HISTORY			
REV	DESCRIPTION	DATE	APPROVED



MODEL NO.	"L"	P/N
PIAT415UHFM TA	5000 [197]	83372
PIAT46UHFM TA	2000 [79]	73279

REV.	DESCRIPTION	DATE	INITIAL
	 <p>Dimensions are Millimeters [inches] TOLERANCES (Unless Otherwise Specified) X = ±0.5mm X.X = ±0.25 X.XX = ±0.12mm [X.X = ±.1"] [.XX = ±.01"] [.XXX = ±.005"] ANGLE = ±3° "L" = 40mm/Meter [.5"/Foot]</p>		<p>BANNER ENGINEERING Corp. 9717 10th Ave. North Minneapolis, MN 55441 Tel # 763-544-3164 Fax # 763-544-3573 www.bannerengineering.com</p>
FIBER PIAT46UHFM TA		PLASTIC FIBEROPTIC ASSEMBLY & MOD'S	
07/20/04	I OF I	73279	-

8 | 7 | 6 | 5 | 4 | 3 | 2 | 1