

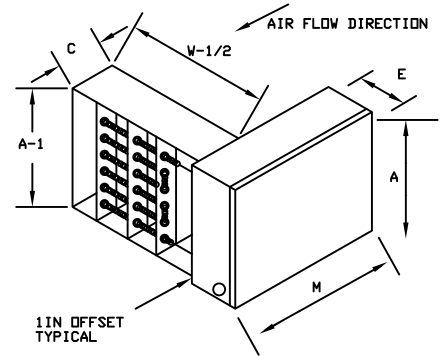
PD Series Packaged Duct Heater



Manufactured in U.S.A.

Standard Features

- Galvanized Steel Element Rack - Always 1" shorter than duct height and 1/2" shorter than duct width to allow insertion clearance
- Galvanized Steel Compartment with 1/2" fiberglass Insulation & Hinged Cover
- Door Interlock Disconnect Switch
- Primary Automatic Reset Temp Limiting Control
- Load Carrying Secondary over Temperature Protective Device(s)
- Definite Purpose Magnetic Contactor(s)
- Differential Pressure Fan Inter-lock Switch
- Step Down Control Transformer / 24 Volt
- Permanently Attached Wiring Diagram on inside of Terminal Compartment Cover



Standard Models

UPC 686334	MODEL NUMBER	KW	POWER VOLTS/ PHASE	DUCT HEIGHT A	DUCT WIDTH W	DIMENSIONS			AMPS	CONTROL STEPS	WT. (LBS.)	LIST	
						C	E	M					
617000	PD5-812-1	5	240-1	8	12	4.75	6.5	26	20.9	1	22	779	
617017	PD10-1018-1	10		10	18	4.75	6.5	28	41.7	2	37	1045	
617024	PD15-1218-1	15		12	18	4.75	6.5	27	62.5	2	33	1224	
617031	PD20-1220-1	20		12	20	9.125	7.5	31	83.3	2	37	1535	
617048	PD25-1620-1	25		16	20	9.125	7.5	38	104.2	3	56	2447	
617055	7PD2-812-1	2	277-1	8	12	4.75	6.5	26	7.2	1	21	779	
617062	7PD3.5-812-1	3.5							12.6			801	
617079	7PD5-812-1	5							18.1			1028	
617086	8PD5-812-3	5	208-3	8	12	4.75	6.5	26	13.9	1	22	899	
617093	8PD10-1018-3	10		10	18	4.75	6.5	22	27.8	1	27	918	
617109	8PD15-1218-3	15		12	18	9.125	6.5	25	41.7	1	32	1068	
617116	8PD15-1218-2-3	15		12	18	9.125	6.5	28	41.7	2	34	1123	
617123	8PD20-1220-3	20		12	20	9.125	6.5	40	55.6	2	39	1358	
617130	8PD25-1620-3	25		16	20	9.125	6.5	29	69.5	2	58	1368	
617147	8PD30-1624-2-3	30		16	24	9.125	7.5	29	83.4	2	65	1947	
617154	8PD30-1624-3	30		16	24	9.125	7.5	35	83.4	3	60	1980	
617437	8PD35-1624-3	35		16	24	9.125	7.5	35	97.3	3	65	2114	
617321	8PD40-1624-3	40		16	24	9.125	7.5	43	111.2	3	75	2670	
617338	8PD45-1630-3	45		16	30	9.125	7.5	43	125.1	3	80	2726	
617345	8PD50-1630-3	50		16	30	9.125	7.5	43	139	3	85	2781	
617161	PD-812-3	5		240-3	8	12	4.75	6.5	26	12.1	1	21	756
617178	PD10-1018-3	10			10	18	4.75	6.5	22	24.1	1	26	835
617185	PD15-1218-1-3	15			12	18	4.75	6.5	20	36.2	1	30	934
617192	PD15-1218-2-3	15	12		18	9.125	6.5	26	36.2	2	33	957	
617208	PD20-1220-3	19.9	12		20	9.125	6.5	28	47.9	2	39	1224	
617215	PD25-1620-3	25	16		20	9.125	6.5	29	60.2	2	57	1368	
617222	PD30-1624-2-3	30	16		24	4.75	6.5	25	72.3	2	57	1513	
617239	PD30-1624-3-3	30	16		24	9.125	6.5	35	72.3	3	65	1580	
617352	PD35-1624-3	35	16		24	9.125	7.5	35	84.3	3	65	1757	
617369	PD40-1624-3	40	16		24	9.125	7.5	35	96.3	3	75	2025	
617376	PD45-1630-3	45	16		30	9.125	7.5	43	108.4	3	80	2625	
617383	PD50-1630-3	49.8	16	30	9.125	7.5	43	120	3	85	2737		
617246	4PD5-812-3	5	480-3	8	12	4.75	6.5	26	6.1	1	21	867	
617253	4PD10-1018-3	10		10	18	4.75	6.5	22	12.1	1	26	918	
617260	4PD15-1218-3	15		12	18	4.75	6.5	20	18.1	1	30	968	
617277	4PD15-1218-2-3	15		12	18	9.125	6.5	26	18.1	2	34	1112	
617284	4PD20-1220-3	20		12	20	9.125	6.5	26	24.1	2	39	1135	
617291	4PD25-1620-3	25		16	20	9.125	6.5	22	30.1	2	58	1169	
617307	4PD30-1624-2-3	30		16	24	4.75	6.5	18	36.2	2	65	1201	
617314	4PD30-1624-3-3	30		16	24	9.125	6.5	24	36.2	3	65	1268	
617390	4PD35-1624-3	35		16	24	9.125	6.5	26	42.2	3	65	1624	
617406	4PD40-1624-3	39.9		16	24	9.125	6.5	40	48.1	3	75	1836	
617420	4PD50-1630-3	50		16	30	9.125	6.5	36	60.2	3	85	2225	