

Want to visualize this product in 3D?

- 1 Download the  Augment App
- 2 Scan this image



Model G-SND

Global Series Signaling Platform – Sounder

Non-metallic design for low maintenance and corrosion resistance

Federal Signal patent pending G-Series Sounders are available in explosion-proof “Ex” versions and increased safety “Ex de” wiring box versions and are certified for gas Group IIC environments.

The G-Series Sounder can be wired to perform two separate functions. A single tone can be selected via a rotary switch; once power is supplied, it will sound the selected tone. Alternatively, multiple tones can be selected remotely by choosing the appropriate combination of inputs.¹ This allows a unique sound to match a specific alarm condition or to be used to escalate an alarm condition.

The G-Series sounder can be combined with all other G-Series audible and visual products in several custom configurations. Custom configurations can be ordered directly from the factory. Optional coupling kits, which allow limited field fixturing, are available.



FEATURES

- Supports 3 operational voltages: 24VDC, 120VAC 50/60 Hz, and 230VAC 50/60 Hz
- Optional 316 stainless steel ratchet adjustable mounting U-bracket (Field installation required)
- Gain control
- Non-metallic corrosion-resistant design
- 15 Watt design
- Two M20 entries standard on Ex d models, three M20 entries standard on Ex de models
- IP66 enclosure
- Zone 1, 21 Rated, IECEx, ATEX, Ex d IIC, Ex de IIC and Ex tb IIC
- Optional indicator rings are available in six colors: Black, Blue, Green, Magenta, Red and Yellow
- Field customizable legend plates available²

MODEL	OPERATING VOLTAGE	NOMINAL OPERATING CURRENT ³	DECIBELS ⁴		TEMPERATURE CODE	
			10'	1M	AT 49° C	AT 70° C
G-SND	24VDC	0.460 amps	98	108	T5 (in IIB)	T4 (in IIB)
	120/230VAC 50/60Hz	0.140/0.080 amps	98	108	T4 (in IIC)	T4 (in IIC)

¹ Refer to application guide for specific wiring details.

² Recommended labels: BRADY #B-855 Toughwash labels or ULINE #S-16643 weather resistant

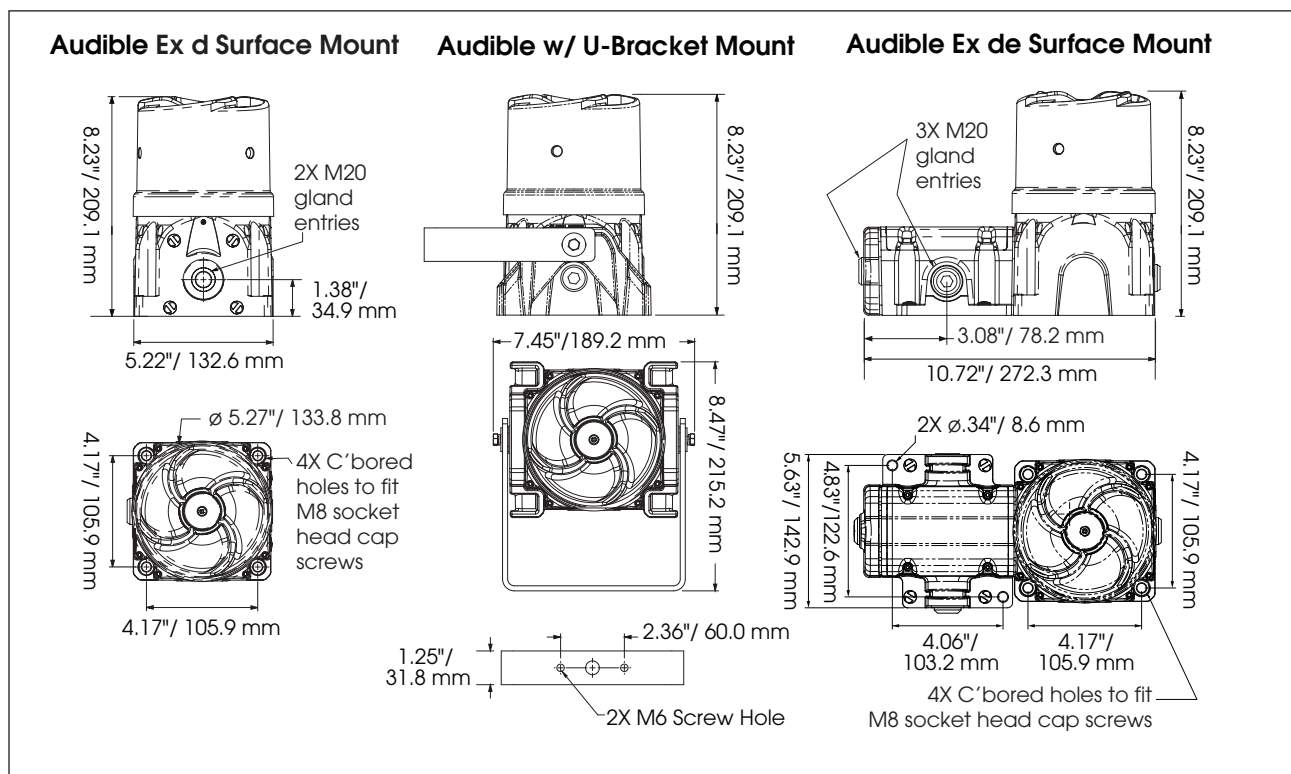
³ Operating current varies with frequency content and input power.

⁴ Measured using on-board tone 9 at nominal input voltage



THIS PRODUCT IS NOT FOR SALE, RE-SALE, DISTRIBUTION OR USE IN THE FOLLOWING COUNTRIES: BELGIUM, FRANCE, GERMANY, ITALY, NETHERLANDS, SPAIN, OR THE UNITED KINGDOM.

Global Series Signaling Platform – Audible Device (G-SND)



SPECIFICATIONS

Operating Temperature Range: -58°F to 158°F -50°C to +70°C

Certification Marking: Ex db IIB T5 Gb or Ex db e IIB T5 Gb
 Ex tb IIIC T100°C Db IP66
 Ex db IIC T4 Gb or Ex db e IIC T4 Gb
 Ex tb IIIC T135°C Db IP66
 ATEX: Baseefa15ATEX0155X
 IECEx: IECEx BAS 15.0104X

External Fasteners: 316 stainless steel

Terminals: Ex d: 15 way block (5 in, 5 out with 4-tone terminal & select line audio input)
 Ex de: 2 x 3 position quad pole terminal blocks

Cable Entries: Ex d: 2 entries - M20 x 1.5
 Ex de: 3 entries - M20 x 1.5

Net Product Weight:

Ex d Surface Mount	9.61lbs	4.36kg
Ex d U-Bracket Mount	11.59 lbs	5.26kg
Ex de Surface Mount	12.43lbs	5.64kg

REPLACEMENT PARTS

Description	Part Number
Multi-voltage G-SND Sounder Kit (Kit includes PCBAs, bracket, driver, and mounting screw)	K859501404
e-Box Endcap with M20 Opening	K859500805-02
e-Box Cover Assembly (Includes two terminal blocks, mounting plate and retention hardware)	K859501414

HOW TO ORDER

G - **SND** - **MV** - **D**

MODEL

TYPE
SND Sounder

Indicate MV for D & T configurations
MV Multi-voltage

Select a voltage for E configurations
024 24VDC
120 120VAC
230 220-240VAC

CONFIGURATION

D Ex d Surface Mount
T Ex d U-Bracket Mount*
E Ex de Surface Mount

*Field Installation Required

Reference Global Series accessory product page for list of available accessories.

THIS PRODUCT IS NOT FOR SALE, RE-SALE, DISTRIBUTION OR USE IN THE FOLLOWING COUNTRIES: BELGIUM, FRANCE, GERMANY, ITALY, NETHERLANDS, SPAIN, OR THE UNITED KINGDOM.



#433 Rev. 081016