

**IPN1HFR**

**1"x1/2" HDFT PLS INSU (5M/PL)**

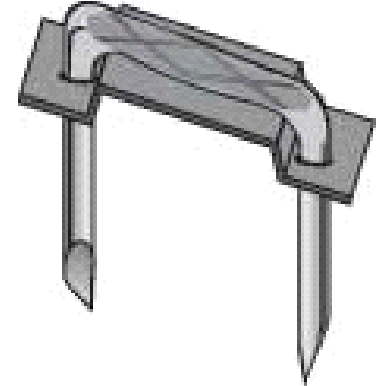
UPC: 784610998000

Country of Origin:

UNSPSC: 39121705

**USA**

Commodity: Cable clamp and staple



*Residential staples (insulated or non-insulated) are staples that provide secure mounting without damage to wire and cable.*

**Product Attributes**

Brand Name	Minerallac Company
Sub Brand	Impact Staples
Type	Insulated Metal Staples
Special Features	Highly visible optic blue plastic insulator. Features a flat-top design.
Application	For heavy-duty applications.
Cable Size	2 Conductor (#12, #14) Romex <sup>®</sup> , and other type NM Staple.
Staple Size	1.000" x 0.500" IN
Material	Steel; Molded Plastic
Color	Silver; Blue
Insulation	Plastic Insulator
Construction	Wire Formed

Item Status: Active  
Standard Qty: 5000

Minerallac Company

Tel: 800-927-3293  
Fax: 800-824-8942  
www.minerallac.com