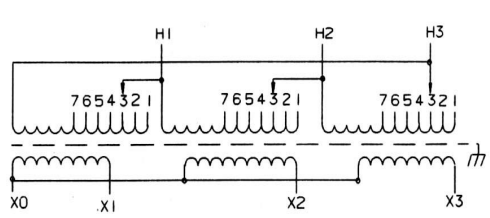
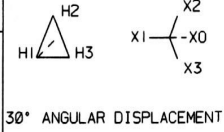


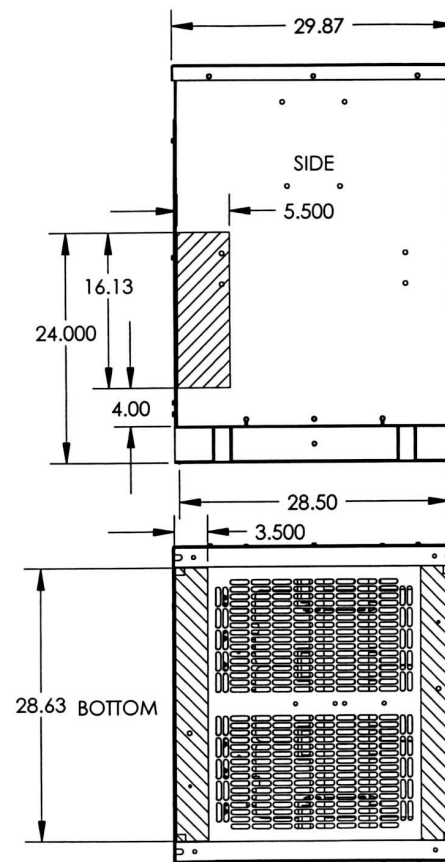
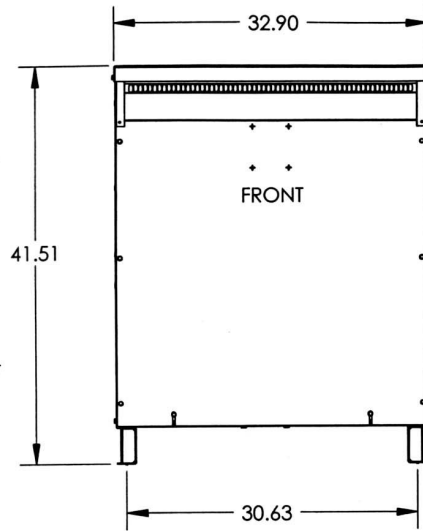
Revisions



PRIMARY VOLTS	%	CONNECT LEADS TO TAP NO.
504	105	1
492	102.5	2
480	100	3
468	97.5	4
456	95	5
444	92.5	6
432	90	7



PRIMARY LINES TO H1-H2-H3
SECONDARY LINES TO X0-X1-X2-X3



NOTE: PRIMARY AND SECONDARY BUS AREA IN FRONT OF CASE.

KEY: DENOTES CONDUIT AREAS



KVA	CATALOG NUMBER	VOLTAGE		WEATHER SHIELD	WEIGHT	PHASE	FREQ.
		HIGH	LOW				
112.5	TP-53315-1S	480Δ	208Y/120	WS-A-4	760 Lbs	3φ	60 Hz

TYPICAL PERFORMANCE DATA

Winding Rise	115°C
Insulation	220°C
Sound Level	50 dB

Regulation @ 100% PF	3.029%
NEMA Standard	TP-1

Impedance	6.18%
Windings:	AL

Typical Effic. @ 35%	98.43%
No Load Losses	322W
Full Load Losses	3,392W

Meets TP-2002 Efficiency

Type No.

A

PRINTS TO

CONTROL 7