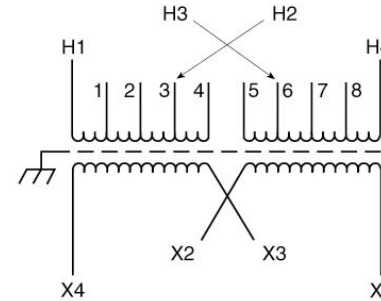
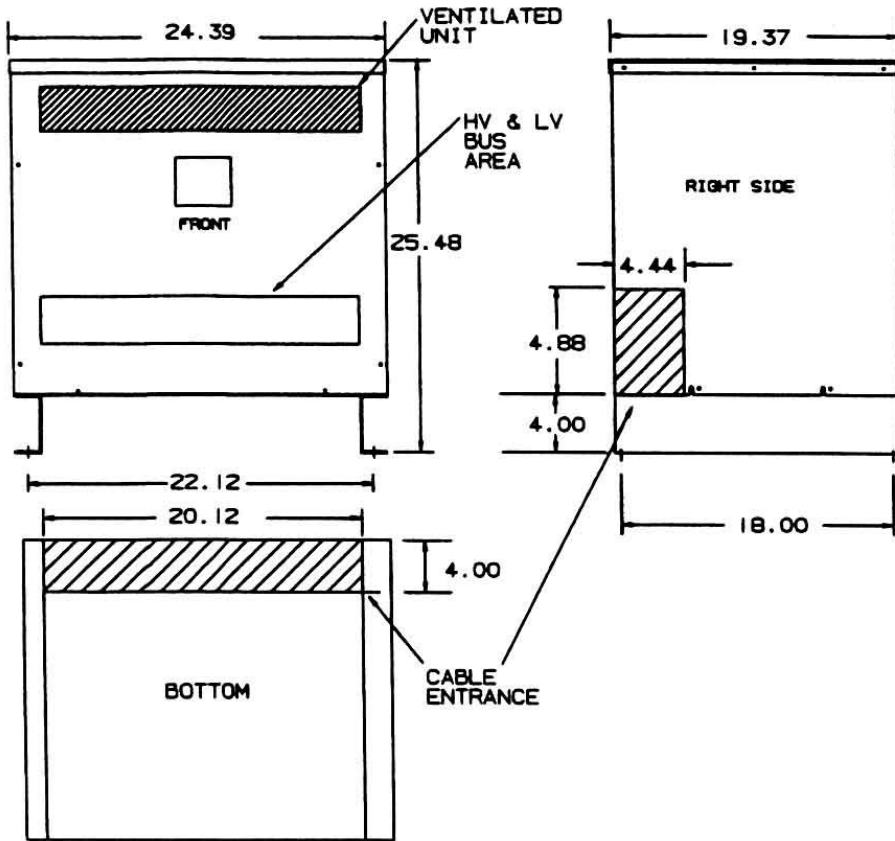


Revisions



Primary Volts	Connect Primary Lines To	Inter-Connect	Connect Secondary Lines To
216	H1-H4	H1, H3, 8 & H2, H4, 1	
228	H1-H4	H1, H3, 7 & H2, H4, 2	
240	H1-H4	H1, H3, 6 & H2, H4, 3	
252	H1-H4	H1, H3, 5 & H2, H4, 4	
432	H1-H4	H2, 1 & H3, 8	
444	H1-H4	H2, 2 & H3, 8	
456	H1-H4	H2, 2 & H3, 7	
468	H1-H4	H2, 3 & H3, 7	
480	H1-H4	H2, 3 & H3, 6	
492	H1-H4	H2, 4 & H3, 6	
504	H1-H4	H2, 4 & H3, 5	
Secondary Volts			
240		X2 to X3	X1-X4
120/240		X2 to X3	X1-X2-X4
120		X1 to X3 X2 to X4	X1-X4



Type No.

DRAWN:

DATE: November 26, 2012

CASE 1

KVA	CATALOG NUMBER	VOLTAGE		WEATHER SHIELD	WEIGHT	PHASE	FREQ.
		HIGH	LOW				
50	TP-53020-3S	240 x 480	120/240	WS-A-1	323 Lbs	1 ϕ	60 Hz

Winding Rise:	150°C
Insulation:	220°C
Sound Level:	45db

TYPICAL PERFORMANCE DATA

Regulation @ 100% PF:	3.01%
Standards:	TP-1

Windings:	AL
Impedance:	4.80%

Typical Efficiency:	97.25%
No Load Losses:	180 W
Full Load Losses:	922 W

Meets TP-2002 Efficiency

Control
7

MX