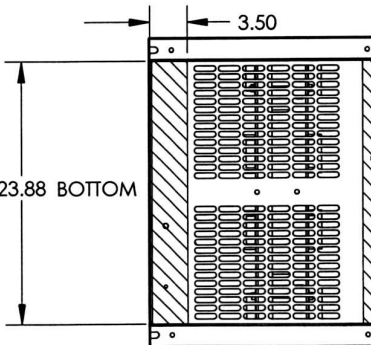
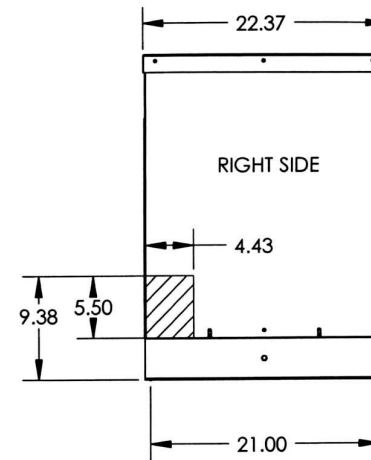
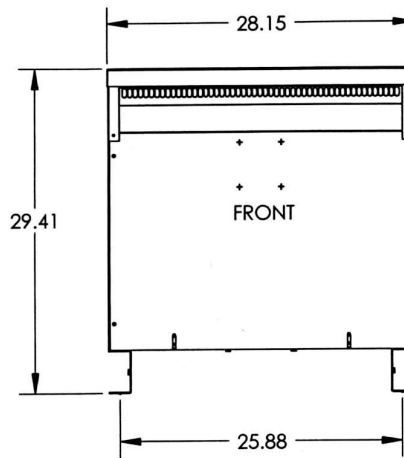
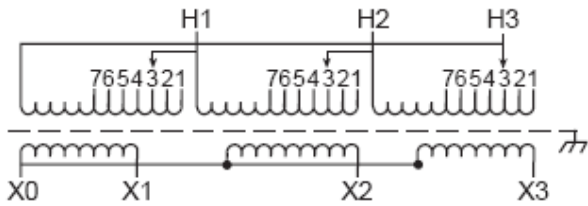


Revisions



Primary Volts	Connect Primary Lines To	Inter-Connect	Connect Secondary Lines To
399	H1, H2, H3	1	
390	H1, H2, H3	2	
380	H1, H2, H3	3	
371	H1, H2, H3	4	
361	H1, H2, H3	5	
352	H1, H2, H3	6	
342	H1, H2, H3	7	
Secondary Volts			
220			X1, X2, X3
127 1 phase			X1 to X0
			X2 to X0
			X3 to X0

NOTE: PRIMARY AND SECONDARY BUS AREA IN FRONT OF CASE.

KEY: DENOTES CONDUIT AREAS



Type No.

DRAWN:

DATE: November 26, 2012

CASE 2

KVA	CATALOG NUMBER	VOLTAGE		WEATHER SHIELD	WEIGHT	PHASE	FREQ.
		HIGH	LOW				
45	T-2A-79553-3S	380Δ	220Y/127	WS-A-2	468Lbs	3φ	50 Hz

Winding Rise:	150°C
Insulation:	220°C
Sound Level:	50db

TYPICAL PERFORMANCE DATA

Regulation @ 100% PF:	3.72%
Standards:	

Windings:	AL
Impedance:	6.33%

Typical Efficiency:	97.83%
No Load Losses:	202W
Full Load Losses:	1,819W

		Control 7	A
--	--	--------------	---