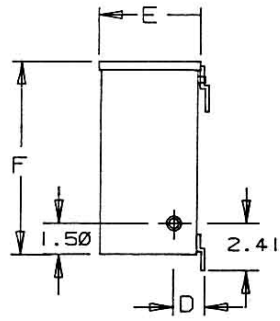
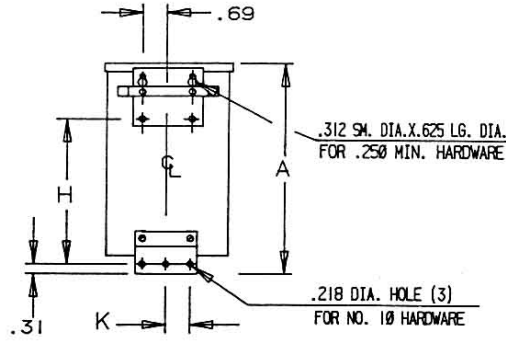


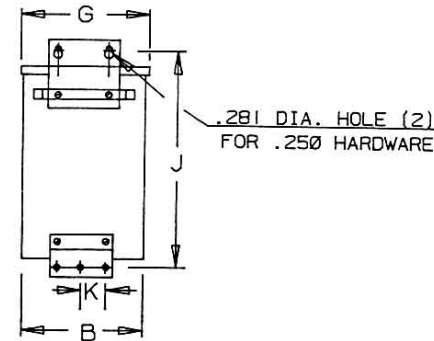
Revisions



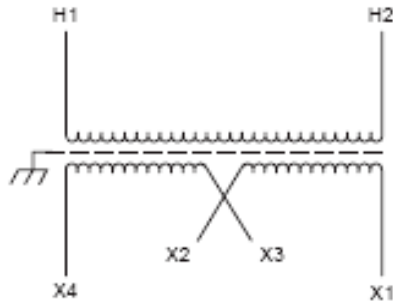
SIDE



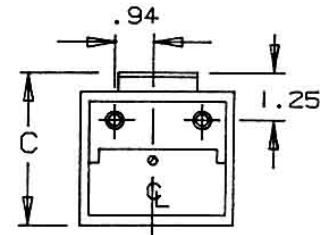
BACK (1)



BACK (2)



Primary Volts	Connect Primary Lines To	Inter-Connect	Connect Secondary Lines To
600	H1-H2		
Secondary Volts			
240		X2 to X3	X1-X4
120/240		X2 to X3	X1-X2-X4
120		X1 to X3 X2 to X4	X1-X4



BOTTOM



Type No.

KVA	CATALOG NUMBER	VOLTAGE		NEMA RATING	WEIGHT	PHASE	FREQ.
		HIGH	LOW				
2.0	T-2-53112-S	600	120/240	3R	38 Lbs	1φ	60 Hz

TYPICAL PERFORMANCE DATA

Winding Rise	115°C
Insulation	180°C
Sound Level	40 dB

Regulation @ 100% PF	
-------------------------	--

IMPEDANCE	
-----------	--

Typical Efficiency	
Full Load Losses	
No Load Losses	

A	B	C	D	E	F	G	H	J	K
12.52	5.40	5.13	1.67	4.92	11.68	5.50	9.03	13.00	1.50

A

PRINTS
TO

CONTROL
7