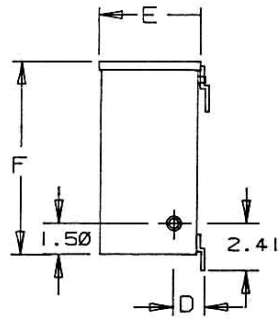
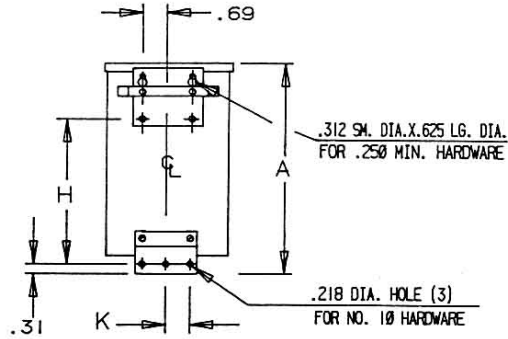


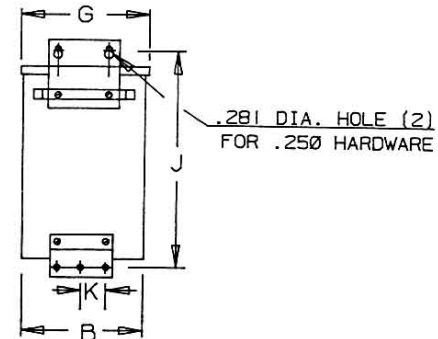
Revisions



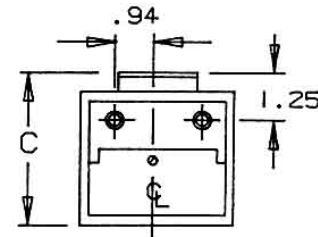
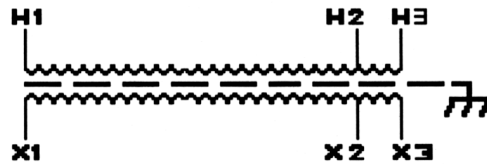
SIDE



BACK (1)



BACK (2)



BOTTOM

INPUT CONNECTIONS		
VOLTS	INPUT LINES 1 2	
277	H1	H2
480	H1	H3

OUTPUT CONNECTIONS		
VOLTS	OUTPUT LINES 1 2	
208	X1	X2
277	X1	X3



Type No.

KVA	CATALOG NUMBER	VOLTAGE		WIRING DIAGRAM	WEIGHT	PHASE	FREQ.
		HIGH	LOW				
1.0	GP12-1000-S	277 / 480	208 / 277		30 Lbs	1	60 Hz

TYPICAL PERFORMANCE DATA

Winding Rise	115°C
Insulation	180°C
Sound Level	45 dB

Regulation @ 100% PF	
-------------------------	--

IMPEDANCE	4.5%
-----------	------

Typical Efficiency	
No Load Losses	
Full Load Losses	

A	B	C	D	E	F	G	H	J	K
10.02	5.40	5.13	1.67	4.92	9.18	5.50	6.53	10.50	1.50

A PRINTS TO CONTROL 7

GP12-1000-S