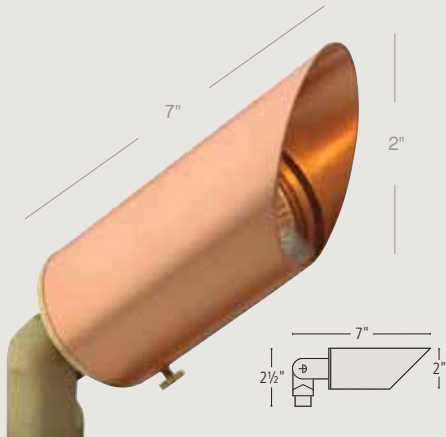


# ACCENT LIGHTING



**1583 NC**  
50W MR16 COPPER SPOT LIGHT



**1536 MZ**  
50W MR16 BRASS SPOT LIGHT

available in LED  
see page 38



**1536 BZ**  
50W MR16 SPOT LIGHT

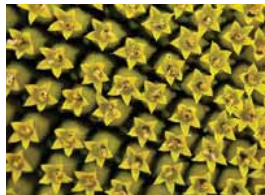
available in LED  
see page 39



**1536 BZ-DN**  
50W MR16 DOWN LIGHT  
(Includes Hex Louver for down light use only)

**Coastal Series:** Constructed from copper and brass, these fixtures are designed to withstand extreme climates.

**Hardy Island Series:** Constructed from solid cast brass in a weathered Matte Bronze finish, these fixtures are designed to withstand extreme climates.





1538 BZ  
50W MR16 SPOT LIGHT



1530 BZ  
20W MR11 SPOT LIGHT



1537 BZ  
75W MR16 SPOT LIGHT



available in LED  
see page 39



1532 BZ  
75W MR16 SPOT LIGHT

ACCENT LIGHTING

12v Low Voltage Landscape Lighting

ITEM	NAME	FINISH	WIDTH	HEIGHT	LENGTH	CONSTRUCTION	GLASS OR LENS	LAMP Not Included
1530 BZ	20w MR11 Spot Light	Bronze	1 3/4" Dia. (shroud)	2 1/2"	3 1/2"	Cast Aluminum	Clear	MR11 up to 20w
1532 BZ	75w MR16 Spot Light	Bronze	4 1/2" Dia. (shroud)	6 1/4"	8 3/4"	PPS Composite	Clear	MR16 up to 75w
1536 BZ	50w MR16 Spot Light	Bronze	2 1/2" Dia. (shroud)	3 1/4"	5 3/4"	Cast Aluminum	Clear	MR16 up to 50w
1536 BZ-DN	50w MR16 Spot Light	Bronze	2 1/2" Dia. (shroud)	3 1/4"	5 3/4"	Cast Aluminum	Hex Louver	MR16 up to 50w
1536 MZ	50w MR16 Spot Light	Matte Bronze	2 1/2" Dia. (shroud)	3 1/4"	5 3/4"	Solid Brass	Clear	MR16 up to 50w
1537 BZ	75w MR16 Spot Light	Bronze	3 3/4" Dia. (shroud)	6 1/2"	8 3/4"	Cast Aluminum	Clear	MR16 up to 75w
1538 BZ	50w MR16 Spot Light	Bronze	3" Dia. (shroud)	4 1/4"	5 1/2"	PPS Composite	Clear	MR16 up to 50w
1583 NC	50w MR16 Spot Light	Natural Copper	2" Dia. (shroud)	2 1/2"	7"	Copper and Brass	Clear	MR16 up to 50w

A wiring kit and ground spike (0014 BZ - see pg. 51) is supplied. For additional accessories, see page 51. For Transformers, see pages 52-53.