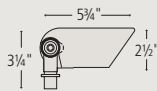




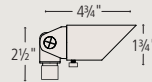
HARDY ISLAND™



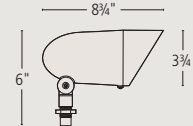
1536 MZ
50W MR16
CAST BRASS
SPOT LIGHT



16501 MZ
MR11
CAST BRASS
ACCENT LIGHT



16504 MZ
75W MR16
CAST BRASS
SPOT LIGHT



HARDY ISLAND™

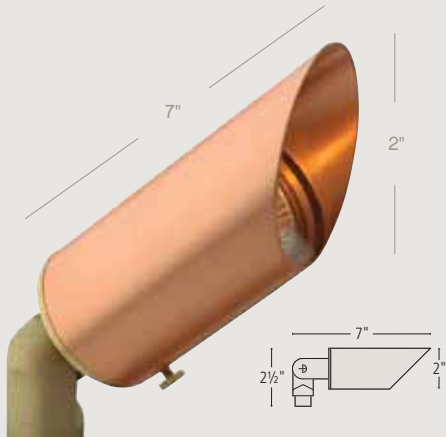
12v Solid Brass Low Voltage Landscape Lighting

ITEM	NAME	FINISH	WIDTH/DIA	HEIGHT	LENGTH	CONSTRUCTION	GLASS OR LENS	LAMP Not Included
1536 MZ*	50w MR16 Cast Brass Spot Light	Matte Bronze	2 1/2" Dia.	3/4"	5 3/4"	Solid Brass	Clear Glass Lens	MR16 Up to 50w
16501 MZ	MR11 Cast Brass Accent Light	Matte Bronze	1 3/4" Dia.	2 1/2"	4 3/4"	Solid Brass	Clear Tempered Glass Lens	MR11 Up to 35w
16504 MZ	MR16 Cast Brass Spot Light	Matte Bronze	4" Dia.	6"	8 3/4"	Solid Brass	Clear Tempered Glass Lens	MR16 Up to 75w

*Optional lenses available, see page 51.

A wiring kit and ground spike (0014 BZ - see pg. 51) is supplied. For additional accessories, see page 51. For Transformers, see pages 52-53.

ACCENT LIGHTING



1583 NC
50W MR16 COPPER SPOT LIGHT



1536 MZ
50W MR16 BRASS SPOT LIGHT

available in LED
see page 38



1536 BZ
50W MR16 SPOT LIGHT

available in LED
see page 39



1536 BZ-DN
50W MR16 DOWN LIGHT
(Includes Hex Louver for down light use only)

Coastal Series: Constructed from copper and brass, these fixtures are designed to withstand extreme climates.

Hardy Island Series: Constructed from solid cast brass in a weathered Matte Bronze finish, these fixtures are designed to withstand extreme climates.

