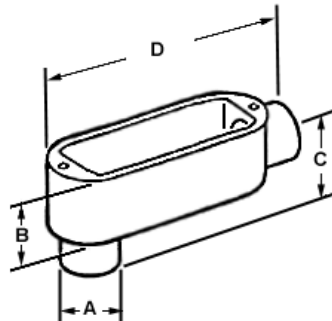


Aluminum with/without Cover & Gasket

Images



Application

Threaded bodies for rigid conduit or IMC allows access for inspection, pulling and maintenance.

Product Information

Material: Aluminum
Finish: Enamel paint

Certifications & Codes:

Federal Specification Number:	W-C-586D
NEMA Standard:	FB-1
UL File Number:	E11077
UL Standard:	UL-514A
UNSPSC:	39131708

[Download Photo Image](#)

[Download Dimensional Image](#)

Dimension A in Inches: 5-5/8

Dimension B in Inches: 4-5/8

Dimension C in Inches: 4

Dimension D in Inches: 15-9/16

Catalog ID: LB-49

UPC Number: 781747041494

Description: Rigid and IMC Conduit Body, Type LB, Aluminum, Size 3-1/2 Inch

Application: Threaded bodies for rigid conduit or IMC allows access for inspection, pulling and maintenance.

Trade Size: 3-1/2"

Std Pkg Qty: 1

Unit Qty: ----