

GRD ROD SIZE	CABLE SIZE		TYPE	MOLD #
	SOLID	STRANDED		
1/2"	#6, #8	#8	CR-1	M-2009
1/2"	#3, #4	#4, #6	CR-1	M-2010
1/2"	#1, #2	#2, #3	CR-1	M-2011

1/2"	#6, #8	#8	CR-2	M-2024
1/2"	#3, #4	#4, #6	CR-2	M-2025
1/2"	#1, #2	#2, #3	CR-2	M-2026

GRD ROD SIZE	CABLE SIZE		TYPE	MOLD #
	SOLID	STRANDED		
5/8"	#6, #8	#8	CR-1	M-2012
5/8"	#3, #4	#4, #6	CR-1	M-2013
5/8"	#1, #2	#2, #3	CR-1	M-2014
5/8"	2/0, 1/0	1/0, #1	CR-1	M-2015
5/8"		2/0	CR-1	M-2016

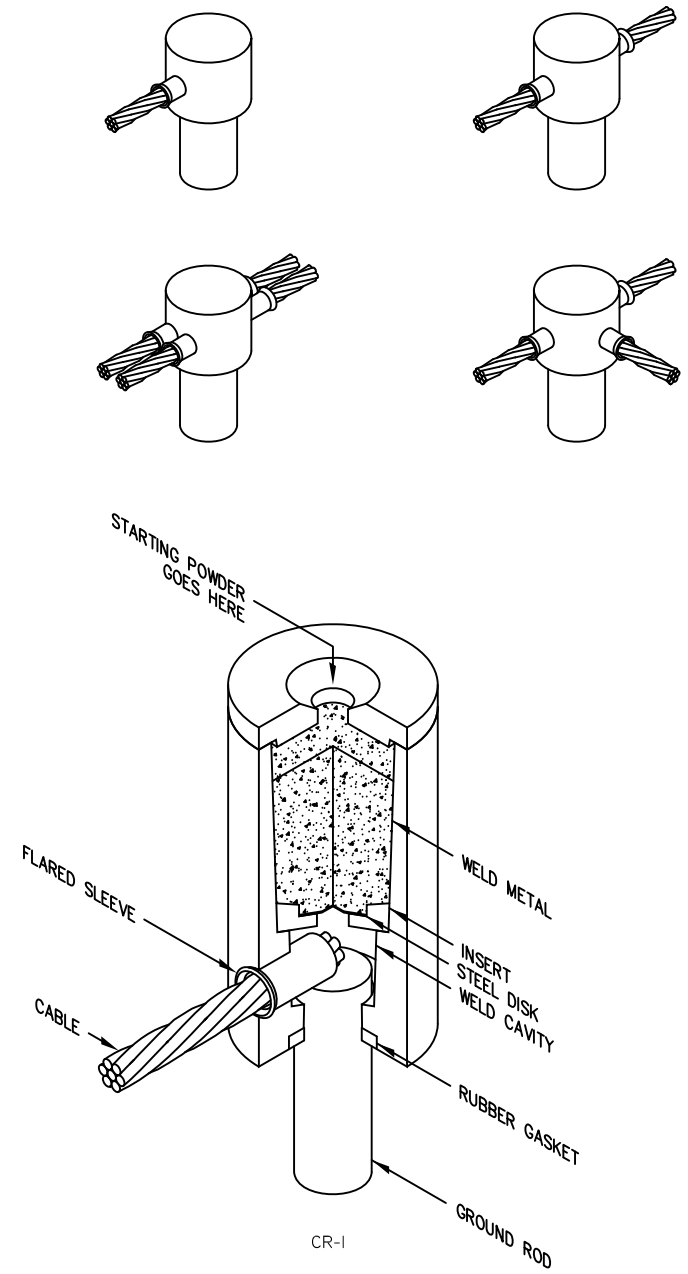
5/8"	#6, #8	#8	CR-2	M-2027
5/8"	#3, #4	#4, #6	CR-2	M-2028
5/8"	#1, #2	#2, #3	CR-2	M-2029
5/8"	2/0, 1/0	1/0, #1	CR-2	M-2030

GRD ROD SIZE	CABLE SIZE		TYPE	MOLD #
	SOLID	STRANDED		
3/4"	#6, #8	#8	CR-1	M-2017
3/4"	#3, #4	#4, #6	CR-1	M-2018
3/4"	#1, #2	#2, #3	CR-1	M-2019
3/4"	2/1, 1/0	1/0, #1	CR-1	M-2020
3/4"		2/0	CR-1	M-2021

3/4"	#6, #8	#8	CR-2	M-2031
3/4"	#3, #4	#4, #6	CR-2	M-2032
3/4"	#1, #2	#2, #3	CR-2	M-2033
3/4"	2/0, 1/0	1/0, #1	CR-2	M-2034
3/4"	-	2/0	CR-2	M-2104

3/4"	#6, #8	#8	CR-24	M-2108
3/4"	#3, #4	#4, #6	CR-24	M-2109
3/4"	#1, #2	#2, #3	CR-24	M-2110

3/4"	#6, #8	#8	CR-25	M-2068
3/4"	#3, #4	#4, #6	CR-25	M-2069
3/4"	#1, #2	#2, #3	CR-25	M-2070

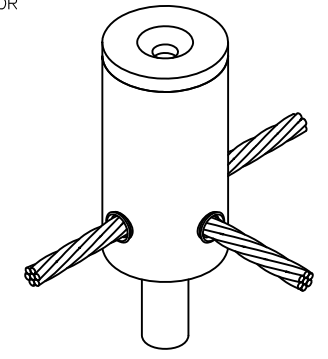


SINGLE SHOT MOLDS

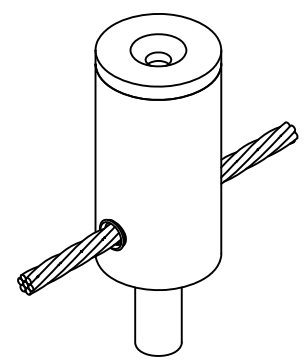
THERMOWELD® SINGLE SHOT MOLDS ARE AN ECONOMICAL WAY TO MAKE CABLE CONNECTIONS ONTO THE TOP OF A GROUND ROD. THE SINGLE SHOT IS A DISPOSABLE SINGLE USE CERAMIC MOLD THAT COMES COMPLETE WITH EVERYTHING REQUIRED EXCEPT THE FLINT IGNITOR.

NOTES:

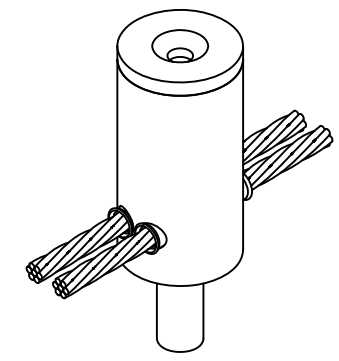
1. FOR SIZES NOT LISTED, CONTACT THERMOWELD®.
2. FOR EXPEDITED SERVICE, CONTACT THERMOWELD®.
3. REQUIRED TOOLS:
38-0309-00 ~ FLINT IGNITOR



CR-25



CR-2



CR-24

UNLESS OTHERWISE SPECIFIED DIMENSIONS ARE IN INCHES				SIGNATURES	DATE	 TULSA, OKLAHOMA
TOLERANCES UNLESS SPECIFIED				DRAWN BY:	4/12/05	
ANGULAR ±2 1/2°				B. MCKASKLE	11/25/08	SINGLE SHOT MOLDS
FRACTIONS ±1/64"				APPROVED BY:		
DECIMALS ±.005"				<i>NAC</i>		ANY CHANGES MADE TO THIS PRINT MUST ALSO BE SHOWN ON PRINT(S):
THIRD ANGLE PROJECTION				MATERIAL:		NEXT ASSEMBLY:
BREAK ALL SHARP CORNERS AND REMOVE ALL BURRS. FINISH 125° ALL OVER EXCEPT AS NOTED. DO NOT SCALE DRAWING.				R.M.#	QTY:	RELEASE INFORMATION: STEEL <input type="checkbox"/> PLASTIC <input type="checkbox"/>
REV	ECN	DATE	INIT	PART NUMBER		
A	2233	11/19/08	KD	CD-612		